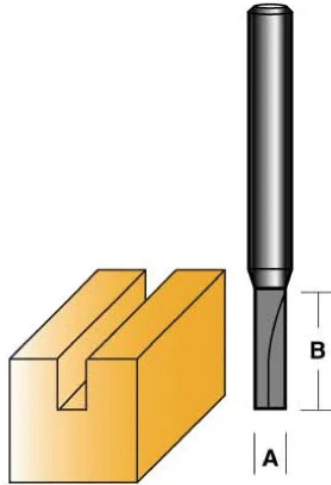


6.35MM X 25.4MM X 1/2" SHANK STRAIGHT SPIRAL TWO FLUTES ROUTER BIT SUIT ALUMINIUM CUTTING TSRX8 BY TRUACUT



SKU	Option	Part #	Price
8706956		TSRX8	\$116.7

Model	
Type	Router Bit
SKU	8706956
Part Number	TSRX8
Barcode	9326186008991
Brand	Truacut
Technical - Main	
Diameter	6.35mm
Packaging + Shipping	
Shipping Weight (Gross)	1.48 kg

6.35mm x 25.4mm x 1/2" Shank Straight Spiral Two Flutes Router Bit suit Aluminium Cutting TSRX8 by TruaCut

(1/2") 12.7 x 38mm shank. Used for general routing, grooving etc. Bottom of the bit is ground for general plunging then normal side cutting. Remember that a 1/2" shk bit is no stronger than the narrowest section of the bit. eg. A 6mm dia. TM1406 (1/2"shk) bit is generally no stronger than the same size with 1/4" shank. But a 12mm dia. bit with 1/2" shk. has a longercut and is stronger than the 1/4" shk. Bit. Extra long cut bits (X/L cut) are ideal for use in Router benches when trimming or planning the edge of timber instead of using your power plane. This planning method makes sure you plane your job square to the main surface. Aluminium cutting solid tungsten carbide right hand up cut spiral - two flute.

Specification:-

A = 6.35mm

B = 25.4mm

C = 63mm

Shank = 1/2"

Two Flutes

Suit Aluminium Cutting