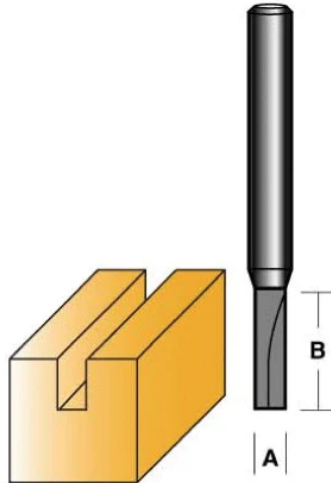


6.35MM X 16MM X 1/2" SHANK STRAIGHT SPOON FLUTE ROUTER BIT SUIT ALUMINIUM + SOFT PLASTIC CUTTING TSP08 BY TRUACUT



SKU	Option	Part #	Price
8706953		TSP08	\$109.2

Model	
Type	Router Bit
SKU	8706953
Part Number	TSP08
Barcode	9326186009011
Brand	Truacut
Technical - Main	
Diameter	6.35mm
Material	Solid Tungsten Carbide
Packaging + Shipping	
Shipping Weight (Gross)	1.48 kg

6.35mm x 16mm x 1/2" Shank Straight Spoon Flute Router Bit suit Aluminium + Soft Plastic Cutting TSP08 by TruaCut

(1/2") 12.7 x 38mm shank. Used for general routing, grooving etc. Bottom of the bit is ground for general plunging then normal side cutting. Remember that a 1/2" shk bit is no stronger than of the narrowest section of the bit. eg. A 6mm dia. TM1406 (1/2"shk) bit is generally no stronger than the same size with 1/4" shank. But a 12mm dia. bit with 1/2" shk. has a longercut and is stronger than the 1/4" shk. Bit. Extra long cut bits (X/L cut) are ideal for use in Router benches when trimming or planning the edge of timber instead of using your power plane. This planning method makes sure you plane your job square to the main surface.

Solid tungsten carbide for cutting aluminium and some soft plastic. When cutting Aluminium use a wax stick lubricant.

Specification:-

A = 6.35mm

B = 16mm

C = 57mm

Shank = 1/2"

Two Flutes

Suit Aluminium + Some Soft Plastic Cutting