



23 Exhibition Drive, Malaga Western Australia

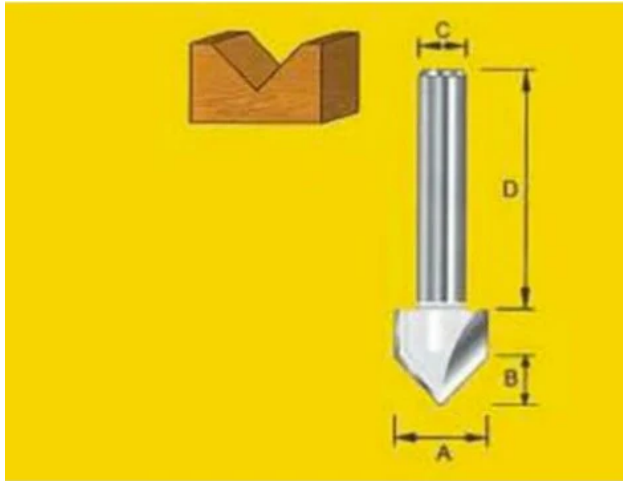
Monday - Friday 7am-5pm + Sat 8am-4pm

Sales Centre for Sales, Advice + Orders

T +61 8 9209 7400

[hello@beyondtools.com](mailto:hello@beyondtools.com)

## 60V 1/2 GROOVING ROUTER BIT T6128/2 BY TRUACUT



SKU	Option	Part #	Price
8704447		T6128/2	\$52.4

Model	
Type	Multi Tool Blade / Accessory
SKU	8704447
Part Number	T6128/2
Barcode	9326186001251
Brand	Truacut
Packaging + Shipping	
Shipping Weight (Gross)	1.48 kg

60o V Grooving Bits 1/2" Shank

Designed for V grooving cuts to replicate random groove timber panel construction, letter, sign work and general mitre joints.

### Specifications:

Tungsten Carbide Tipped V Grooving Bit

mm on 60o - 23.0

A mm - 25.0

B mm - 21.0