



23 Exhibition Drive, Malaga Western Australia

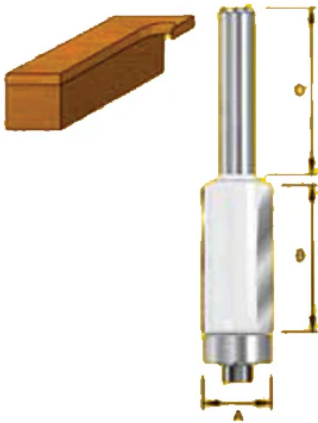
Monday - Friday 7am-5pm + Sat 8am-4pm

Sales Centre for Sales, Advice + Orders

T +61 8 9209 7400

hello@beyondtools.com

12.7MM X 25.4MM X 1/2" SHANK STRAIGHT FLUSH TRIM ROUTER BIT WITH BEARING TB8016/2 BY TRUACUT



SKU	Option	Part #	Price
8704250		TB8016/2	\$37.3

Model	
Type	Router Bit
SKU	8704250
Part Number	TB8016/2
Barcode	9326186003507
Brand	Truacut
Technical - Main	
Diameter	12.7mm
Packaging + Shipping	
Shipping Weight (Gross)	1.48 kg

12.7mm x 25.4mm x 1/2" Shank Straight Flush Trim Router Bit with Bearing TB8016/2 by Truacut

These precision flush trim bits are specifically designed for heavy duty trimming. The smaller diameter bits are used for trimming into tight corners. All of these bits are fitted with high speed double shielded ball bearings for longer bearing life.

Specification:-

A = 12.7mm

B = 25.4mm

Shank = 1/2"