



23 Exhibition Drive, Malaga Western Australia

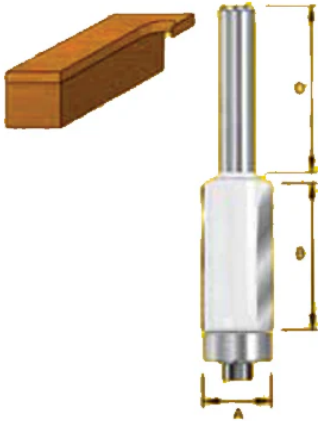
Monday - Friday 7am-5pm + Sat 8am-4pm

Sales Centre for Sales, Advice + Orders

T +61 8 9209 7400

hello@beyondtools.com

6.4MM X 25.4MM X 1/4" SHANK STRAIGHT FLUSH TRIM ROUTER BIT WITH BEARING TB8008 BY TRUACUT



SKU	Option	Part #	Price
8703233		TB8008	\$35.9

Model	
Type	Router Bit
SKU	8703233
Part Number	TB8008
Barcode	9326186003392
Brand	Truacut
Technical - Main	
Diameter	6.4mm
Shank Diameter	6mm (1/4")
Packaging + Shipping	
Shipping Weight (Gross)	1.48 kg

6.4mm x 25.4mm x 1/4" Shank Straight Flush Trim Router Bit with Bearing TB8008 by Truacut

These precision flush trim bits are specifically designed for heavy duty trimming. The smaller diameter bits are used for trimming into tight corners. All of these bits are fitted with high speed double shielded ball bearings for longer bearing life.

Specification:-

A = 6.4mm

B = 25.4mm

Shank = 1/4"