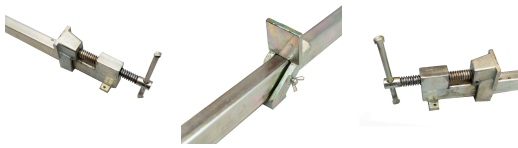
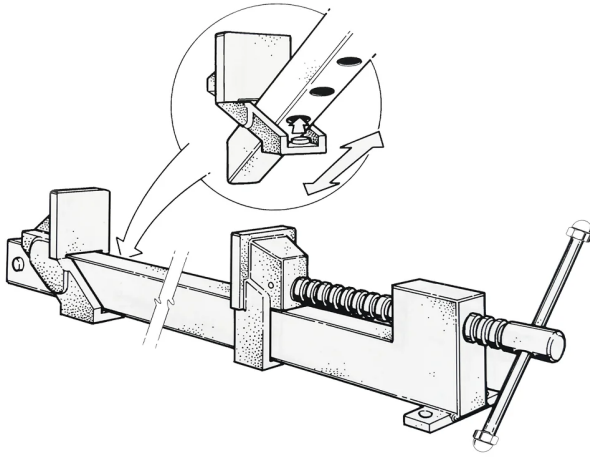


HEAVY DUTY PROFESSIONAL TOUGHCLAMP SASH CLAMP BY TOUGH CUT



Australian Designed and Patented PAT No. ZL 2021 2 1993973.1

A range of heavy duty professional sash clamps for a wide range of wood working applications including gluing of large pieces of wood and furniture. The head and slide are guaranteed unbreakable, whilst the steel bar offers maximum tensile and yield strength. The slightly tapered jaws enable perfectly parallel clamping and the fast action rolled square thread applies pressure quickly and smoothly to the workpiece.

Features:-

- Manufactured from a strong steel bar fitted with a machined steel head
- Steel bar offers maximum tensile and yield strength to achieve powerful clamping force
- Easy slide adjustment by loosening the wing nut - Never lose a pin again
- The all integrated locking pin for quick and smooth action
- Cast steel jaws are incredibly strong and robust (with machined faces)
- The slightly tapered jaws enable perfectly parallel clamping
- Square thread design for maximum strength without overloading the clamp
- Yellow zinc plated to ensure the clamp is easy to clean and keep glue off
- The body of the clamp is manufactured from high tensile steel for incredible strength
- Screw tabs for screwing up to the wall or bench
- Available in 1225mm opening up until 2425mm

SKU	Option	Part #	Price
8001847	Size: 1225mm (48")	TC-SC-1225	\$169
8001848	Size: 1425mm (56")	TC-SC-1425	\$179
8001849	Size: 1625mm (64")	TC-SC-1625	\$189
8001850	Size: 1825mm (72")	TC-SC-1825	\$199
8001851	Size: 2025mm (80")	TC-SC-2025	\$209
8001852	Size: 2225mm (88")	TC-SC-2225	\$219
8001853	Size: 2425mm (96")	TC-SC-2425	\$239

Model	
Type	Sash Clamp
SKU	8001847
Part Number	TC-SC-1225
Barcode	745240316725
Brand	ToughCut
Size	1225mm, 1425mm, 1625mm, 1825mm, 2025mm, 2225mm, 2425mm
Technical - Main	
Material	High Tensile Steel, Tube Head & Tail Stock: Cast Steel, Yellow Zinc Plated Finish
Country of Origin	
Manufactured in	China
Price Vs Quality	
Quality	Commercial (Suitable for Professional / Trade Use)
Warranty	
Warranty	10 Years
Use	Intended or designed for commercial use.
Packaging + Shipping	
Shipping Weight (Gross)	20.6 kg
Packaging	Cardboard Box
Packaging Box Qty	1
Shipping Notes	This product is classified as 'Heavy / Oversized' and generally does not qualify for FREE SHIPPING.

Slide secured by a solid steel pin passing through one of the location holes spaced along the steel bar
Ideal for clamping large and heavy pieces of furniture and wood when gluing

Material Specification:-

High Tensile Steel Tube
Head & Tail Stock: Cast Steel
Thread: Metric Square Thread 20 x 4mm

Standard Inclusions:-

Price is Per Clamp (Out of a 2Pce Box) - ie. select 2 for a Box of 2 Clamps

Packaging Specifications:-

Sash Clamp: 1225mm

Part Number: TC-SC-1225
Inner Carton
Qty: 2
N.W.: 10.30Kg
G.W.: 10.70Kg
Carton Dimensions: 1420 x 170 x 60mm

Outer Carton

Qty: 8
N.W.: 41.20Kg
G.W.: 44.5Kg
Dimensions: 1460 x 400 x 150mm

Sash Clamp: 1425mm

Part Number: TC-SC-1425
Inner Carton
Qty: 2
N.W.: 11.20Kg
G.W.: 11.65Kg
Dimensions: 1620 x 170 x 60mm

Outer Carton

Qty: 8
N.W.: 44.80Kg
G.W.: 48.5Kg
Dimensions: 1660 x 400 x 150mm

Sash Clamp: 1625mm

Part Number: TC-SC-1625
Inner Carton
Qty: 2
N.W.: 12.40Kg
G.W.: 12.9Kg
Dimensions: 1820 x 170 x 60mm

Outer Carton

Qty: 8
N.W.: 49.60Kg
G.W.: 53.7Kg
Dimensions: 1860 x 400 x 150mm

Sash Clamp: 1825mm

Part Number: TC-SC-1825
Inner Carton
Qty: 2
N.W.: 13.00Kg
G.W.: 13.55Kg
Dimensions: 2020 x 170 x 60mm

Outer Carton

Qty: 8
N.W.: 52.00Kg
G.W.: 56.5Kg
Dimensions: 2060 x 400 x 150mm

Sash Clamp: 2025mm

Part Number: TC-SC-2025
Inner Carton
Qty: 2
N.W.: 14.00Kg

G.W.: 14.60Kg
Dimensions: 2220 x 170 x 60mm
Outer Carton
Qty: 8
N.W.: 56.00Kg
G.W.: 60.90Kg
Dimensions: 2260 x 400 x 150mm

Sash Clamp: 2225mm

Part Number: TC-SC-2225

Inner Carton

Qty: 2

N.W.: 14.80Kg

G.W.: 15.5Kg

Dimensions: 2420 x 170 x 60mm

Outer Carton

Qty: 8

N.W.: 59.20Kg

G.W.: 64.70Kg

Dimensions: 2460 x 400 x 150mm

Sash Clamp: 2425mm

Part Number: TC-SC-2425

Inner Carton

Qty: 2

N.W.: 15.60Kg

G.W.: 16.35Kg

Dimensions: 2620 x 170 x 60mm

Outer Carton

Qty: 8

N.W.: 62.40Kg

G.W.: 68.3Kg

Dimensions: 2660 x 400 x 150mm

Options

TC-SC-1225

TC-SC-1425

TC-SC-1625

TC-SC-1825

TC-SC-2025

TC-SC-2425

TC-SC-2225