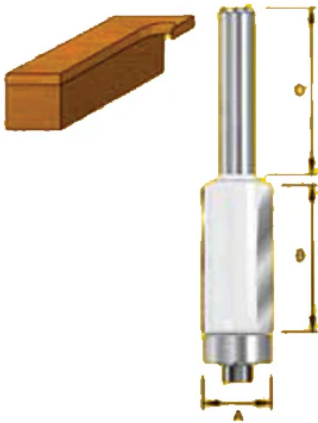


9.5MM X 25.4MM X 1/4" SHANK STRAIGHT FLUSH TRIM ROUTER BIT WITH TWO BEARINGS TBB8012 BY TRUACUT



SKU	Option	Part #	Price
2877		TBB8012	\$41.4

Model	
Type	Router Bit
SKU	2877
Part Number	TBB8012
Barcode	9326186003866
Brand	Truacut
Technical - Main	
Diameter	9.5mm
Shank Diameter	6mm (1/4")
Packaging + Shipping	
Shipping Weight (Gross)	1.48 kg

9.5mm x 25.4mm x 1/4" Shank Straight Flush Trim Router Bit with Two Bearings TBB8012 by Truacut

These precision flush trim bits are specifically designed for heavy duty trimming. The smaller diameter bits are used for trimming into tight corners. All of these bits are fitted with high speed double shielded ball bearings for longer bearing life.

Specification:-

A = 9.5mm

B = 25.4mm

Shank = 1/4"

Fitted with two bearings