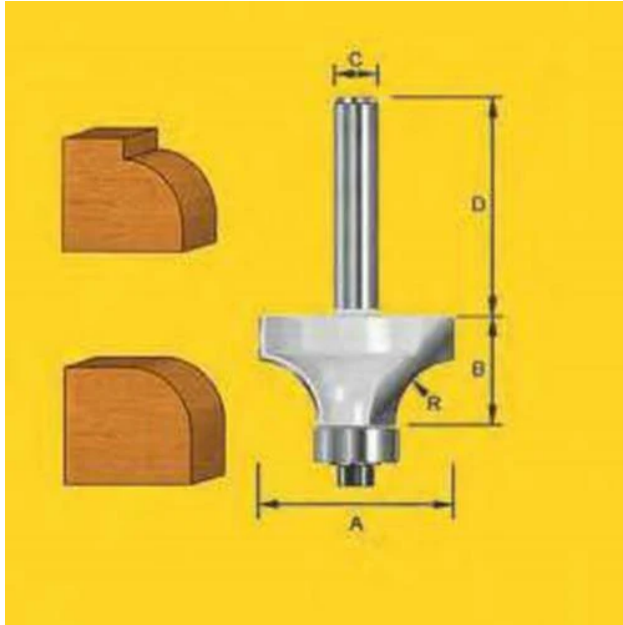


## 16MM 1/2SH ROUNDING OVER RAD ROUTER BIT TB520/2 BY TRUACUT



SKU	Option	Part #	Price
2546		TB520/2	\$64.9

Model	
Type	Router Bit
SKU	2546
Part Number	TB520/2
Barcode	9326186002159
Brand	Truacut
Technical - Main	
Diameter	9.5mm
Shank Diameter	6mm (1/4")
Packaging + Shipping	
Shipping Weight (Gross)	1.48 kg



Rounding Over Bits are the most used of all the edge forming router bits.

They are used for just breaking the sharp edge on a job as well as cutting decorative edging to form drop leaf joints/ (Matching jointing bits are the Cove Bits).

Fitted with Mark free 12.7 x 4.8mm (B105) ball bearing guide these bits tend not to burn the work surface.

The bit can also be converted into Beading bits just by changing to a smaller Bearing (B106).

The ball bearing fitted very close to the bottom cutting edge so as to allow full round over cut to be made with the the bearing just being guided along a very narrow flat section on the bottom of the job (the round over section just feathering out).

Not many manufacturers pay enough attention to this very important specification demanded by the tradesman.

All Truacut shaped bits have the full body Anti-Kickback design.

Combined with close fitted bearings i.e. no large gap between the cutting edge and bearing.

### Specifications:

16mm Rounding Over Bit 1/2" Shank

Radius - 16.0mm

A - 44.0mm

B - 22.0mm