



23 Exhibition Drive, Malaga Western Australia

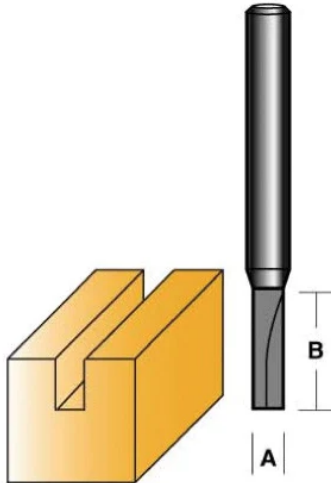
Monday - Friday 7am-5pm + Sat 8am-4pm

Sales Centre for Sales, Advice + Orders

T +61 8 9209 7400

hello@beyondtools.com

6.4MM X 19MM X 1/4" SHANK STRAIGHT TWO FLUTES ROUTER BIT TM206.4 BY TRUACUT



SKU	Option	Part #	Price
2122		TM206.4	\$31.95

Model	
Type	Router Bit
SKU	2122
Part Number	TM206.4
Barcode	9326186005952
Brand	Truacut
Technical - Main	
Diameter	6.4mm
Shank Diameter	6mm (1/4")
Packaging + Shipping	
Shipping Weight (Gross)	1.48 kg

6.4mm x 19mm x 1/4" Shank Straight Two Flutes

Router Bit TM206.4 by Truacut

(1/4") 6.35 x 32mm shank. Double flute bits are recommended for general routing, grooving and rebating etc. Bottom of the bit is ground for general plunging then normal side cutting

Specification:-

A = 6.4mm

B = 19mm

Shank = 1/4"

Two Flutes