



23 Exhibition Drive, Malaga Western Australia

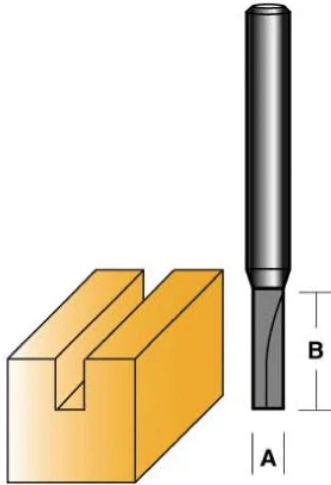
Monday - Friday 7am-5pm + Sat 8am-4pm

Sales Centre for Sales, Advice + Orders

T +61 8 9209 7400

hello@beyondtools.com

6MM X 16MM X 1/4" SHANK STRAIGHT SINGLE FLUTE ROUTER BIT TM206 BY TRUACUT



SKU	Option	Part #	Price
2119		TM206	\$31.95

Model	
Type	Router Bit
SKU	2119
Part Number	TM206
Barcode	9326186005907
Brand	Truacut
Technical - Main	
Diameter	6mm
Shank Diameter	6mm (1/4")
Packaging + Shipping	
Shipping Weight (Gross)	1.48 kg

6mm x 16mm x 1/4" Shank Straight Single Flute Router Bit TM206 by Truacut

(1/4") 6.35 x 32mm shank. Single flute router bits are used for intricate line design.

Specification:-

A = 6mm

B = 16mm

Shank = 1/4"

Single Flute